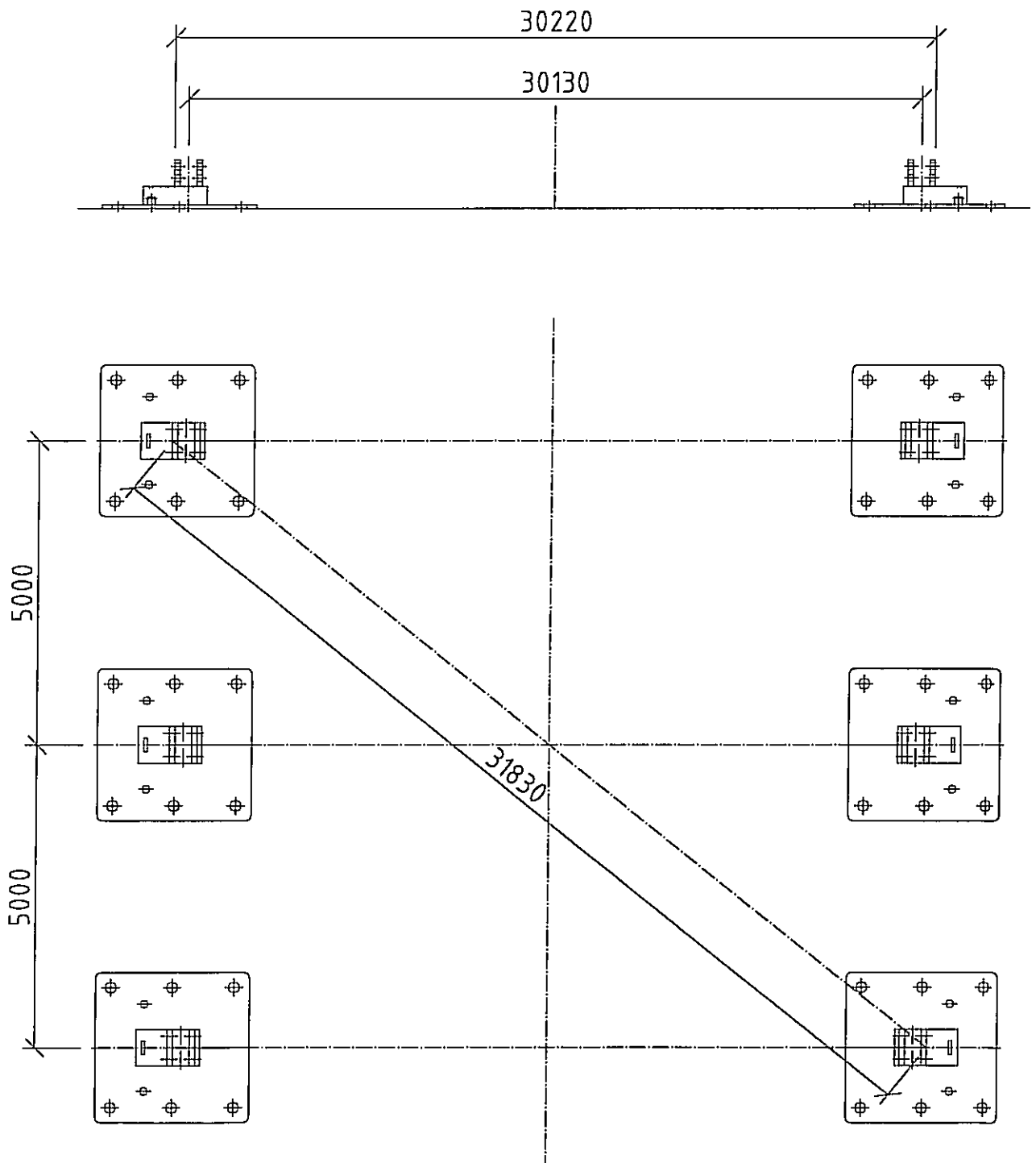


Party and exhibition tents system uniflex

Assembly guide

Typ 30,4/340+400

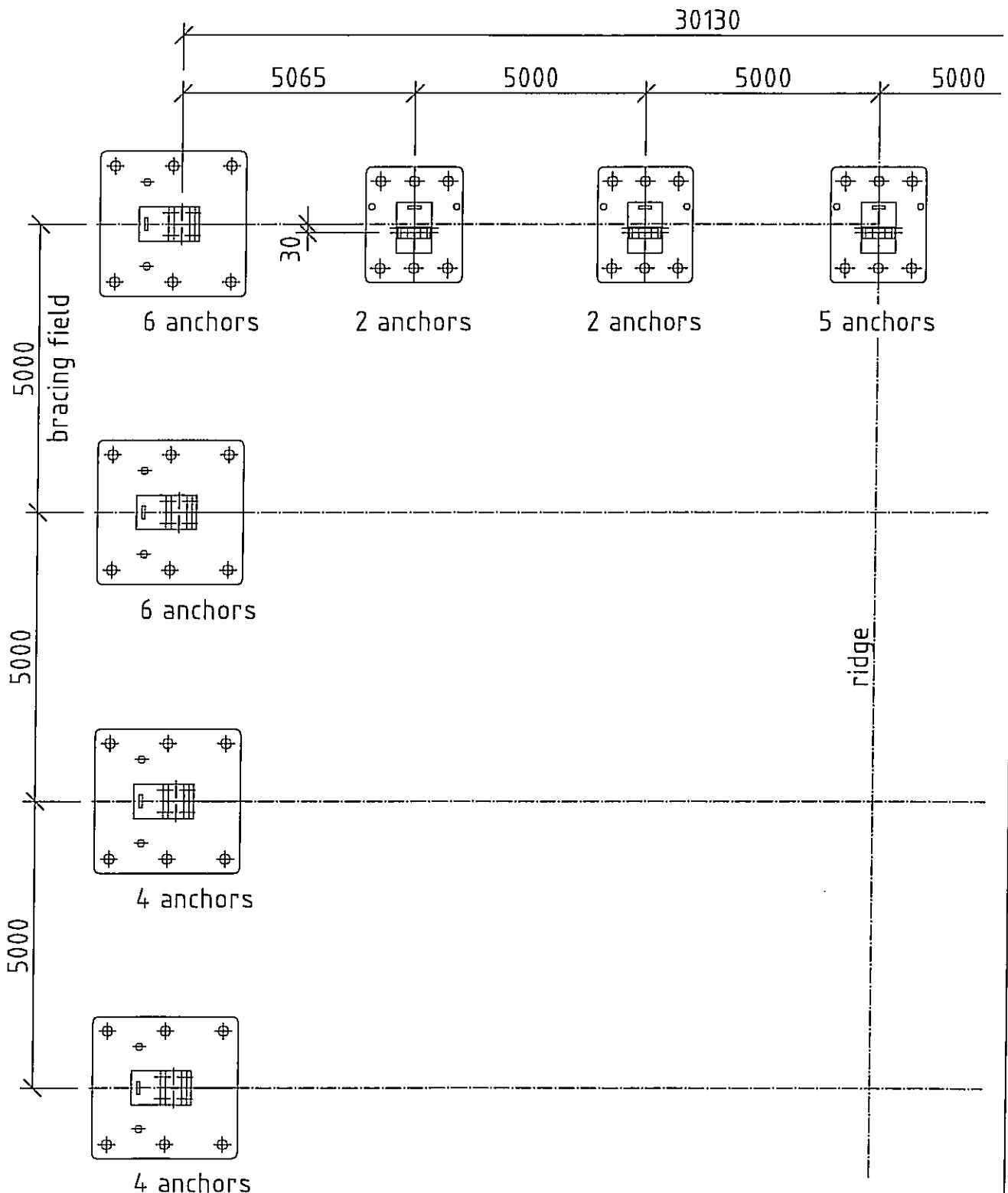
Measurement sketch for frame pole-base plate



Measurement sketch for gable pole-base plate

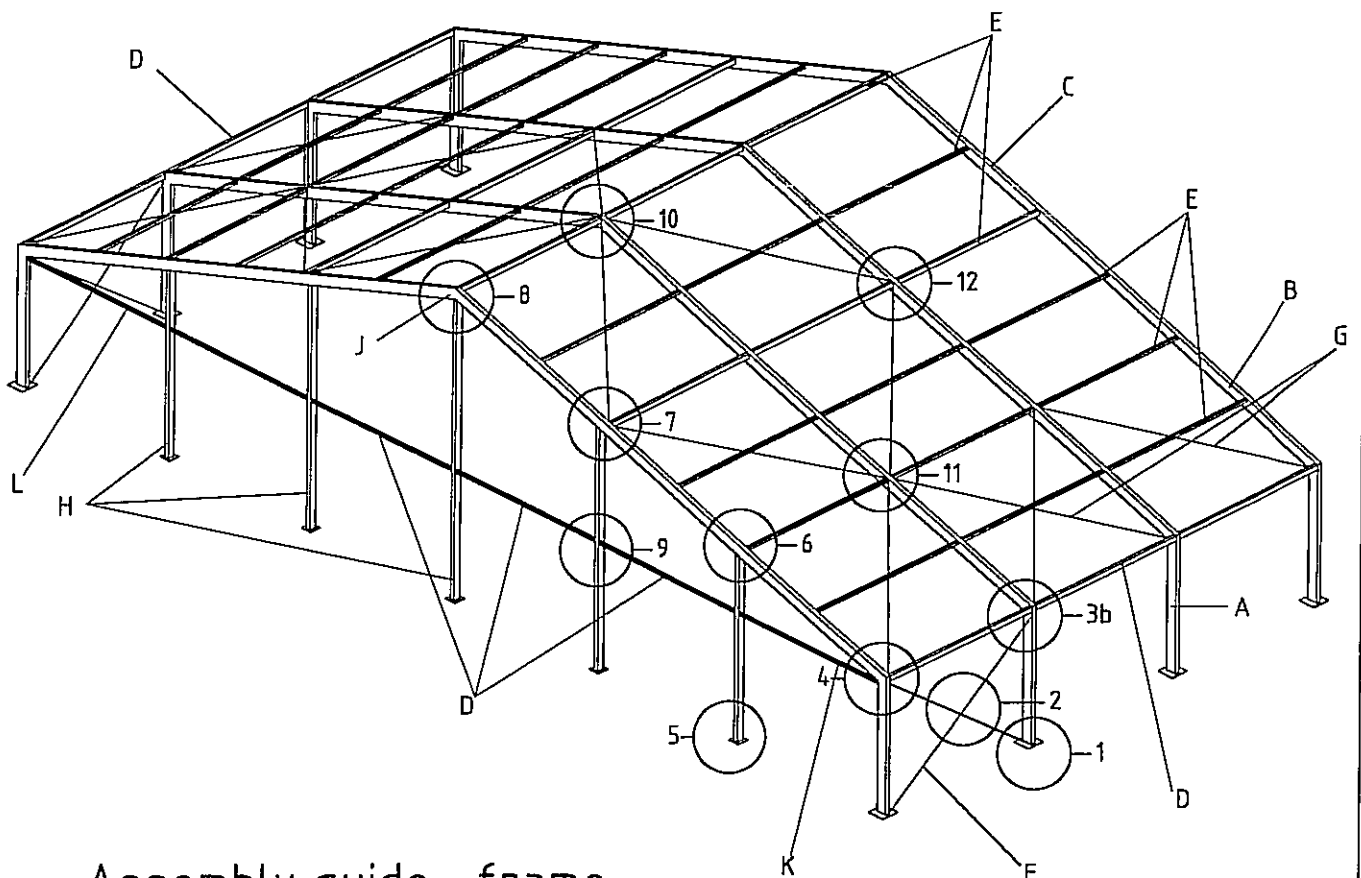
Verankerung 30,4/340-400

Steel anchoring $\phi 30\text{mm}$, diving depth $l=1.00\text{m}$

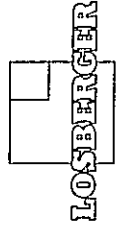


Party and exhibition tent 30,4/340-400

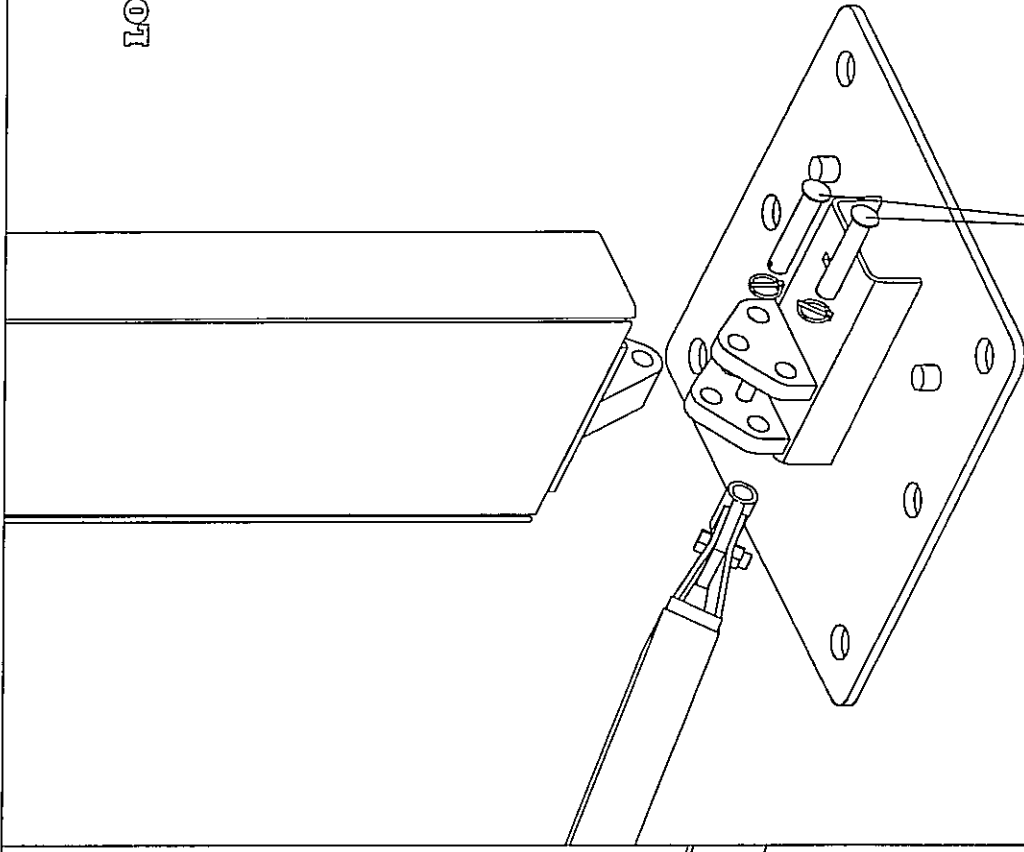
- A - frame pole
- B - frame beam 10 m
- C - frame beam 5 m
- D - eave purlin 100x80
- E - ridge or intermediate purlin 80x80
- F - strut bracing
- G - roof wire cable
- H - gable pole
- J - ridge head
- K - gable wall beam right 100x80
- L - gable wall beam left 100x80



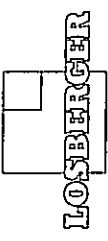
Assembly guide , frame



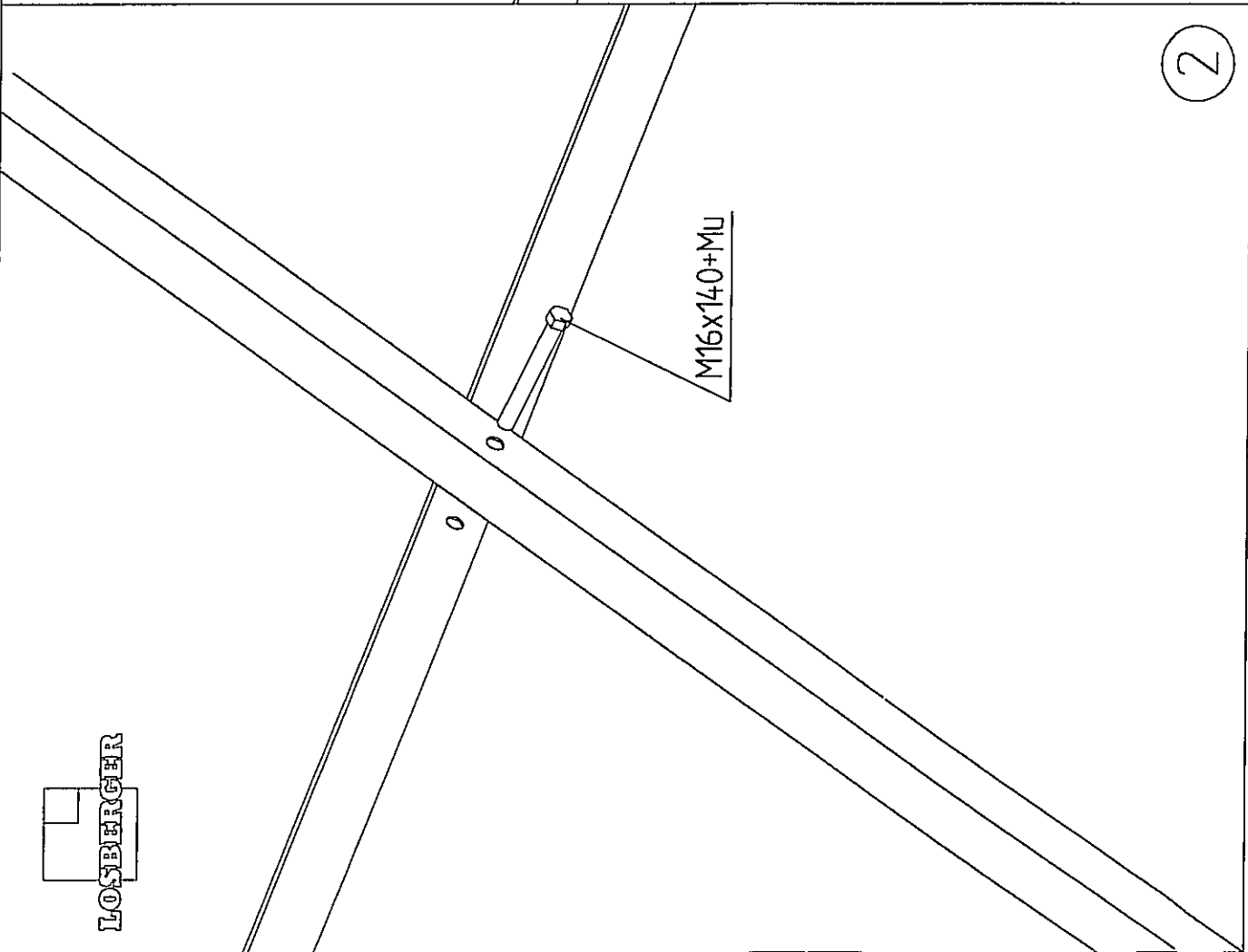
1



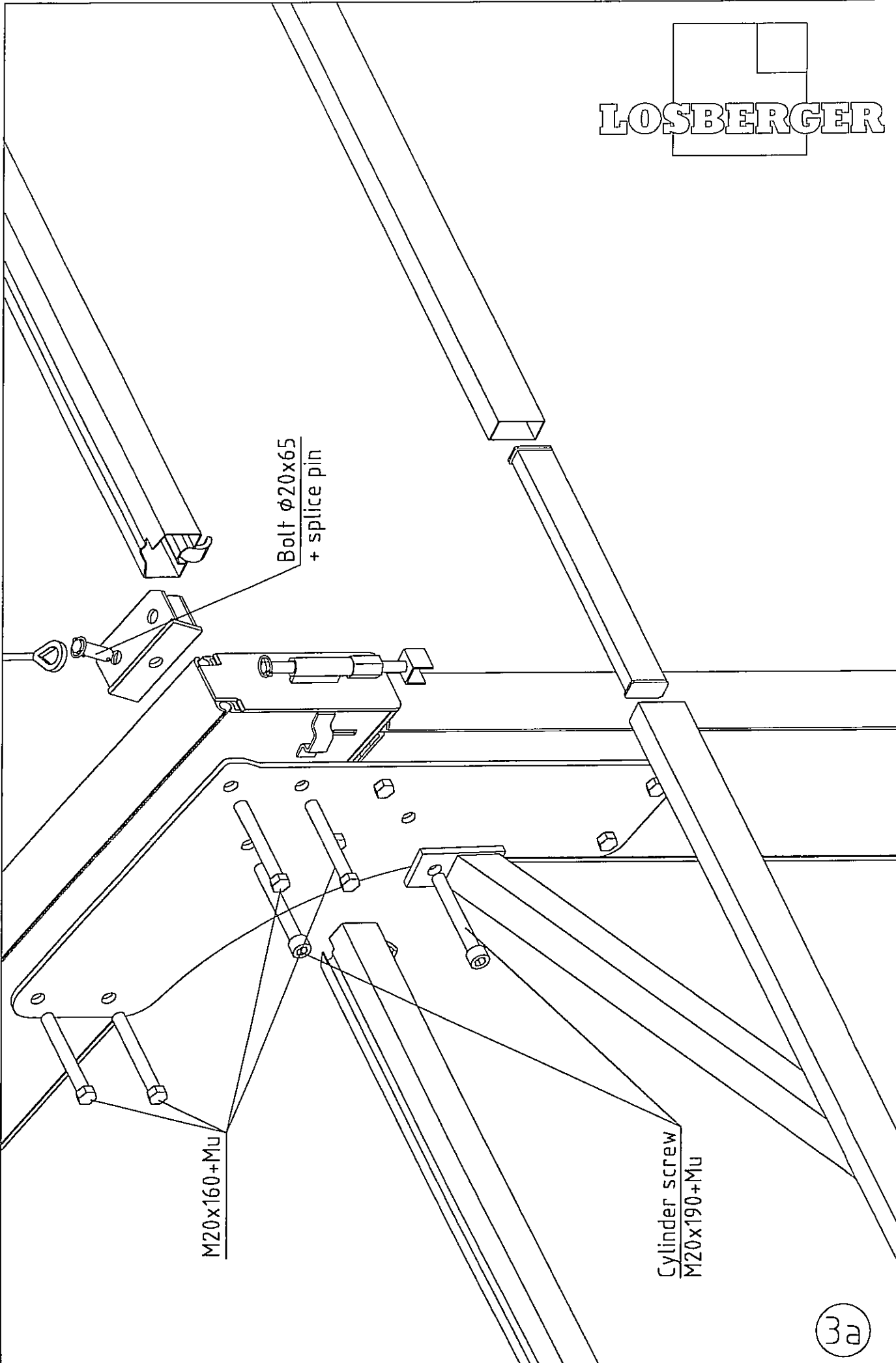
Bolt $\phi 20 \times 105$
+ splice pin

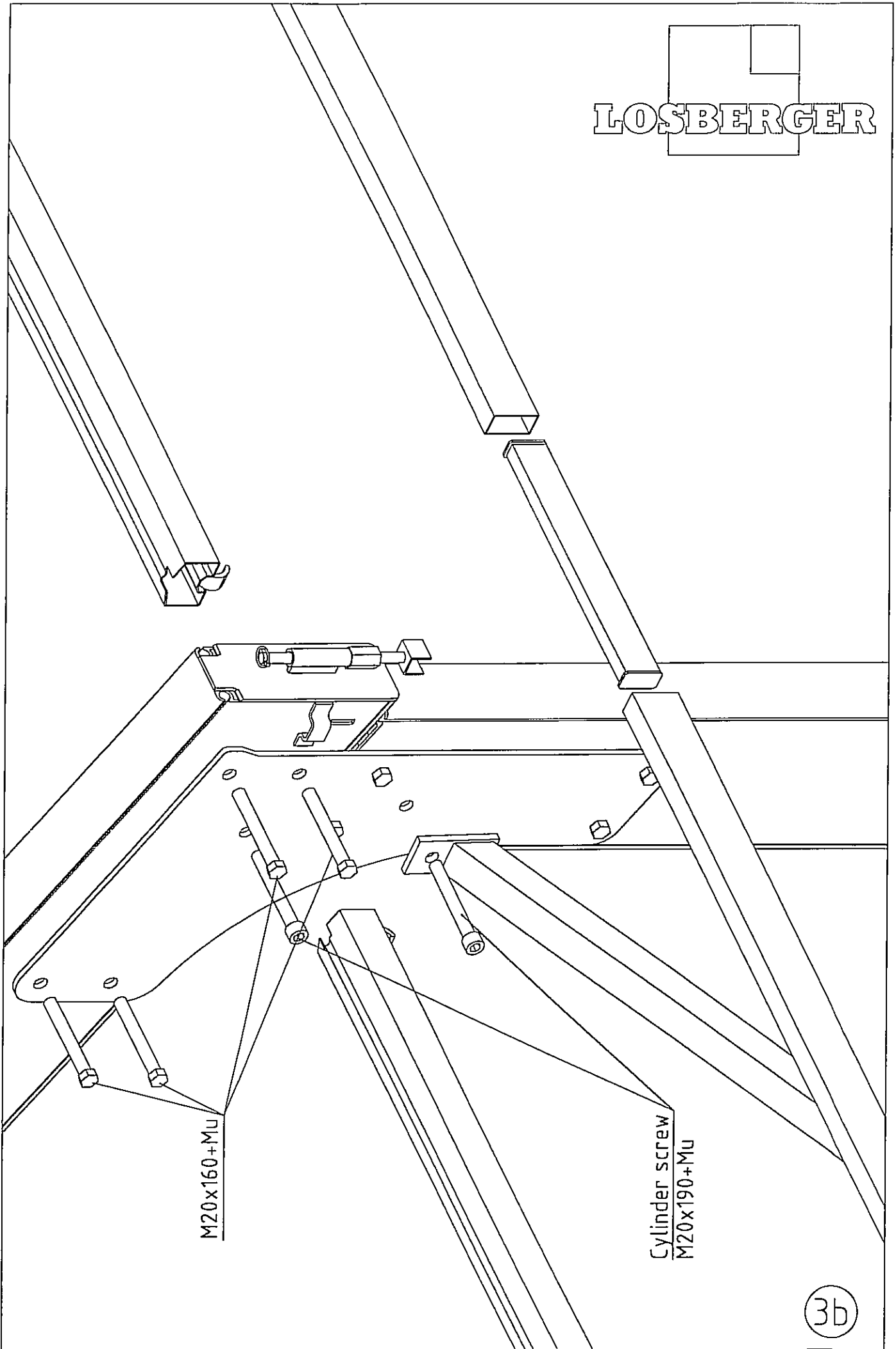


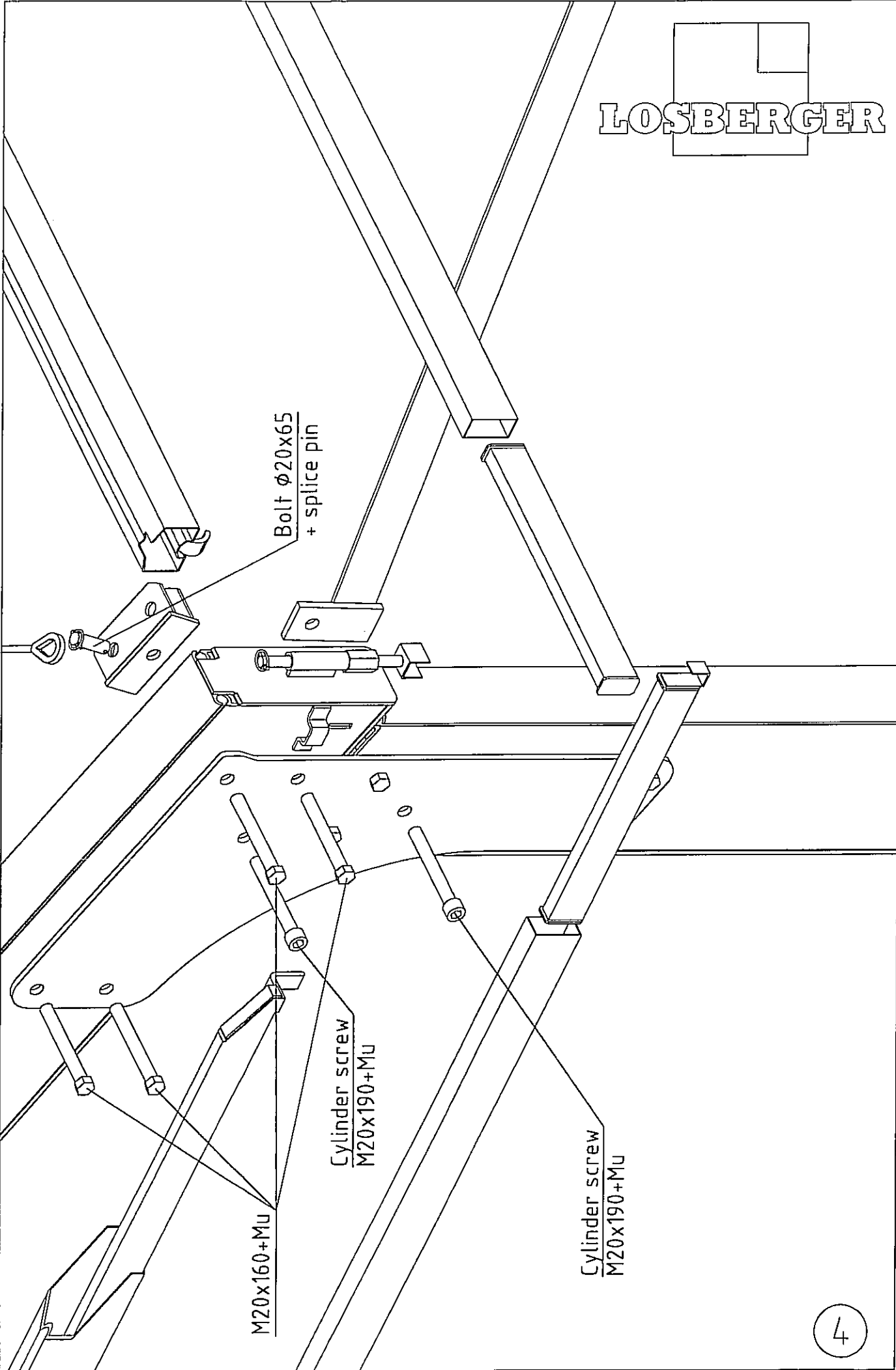
2

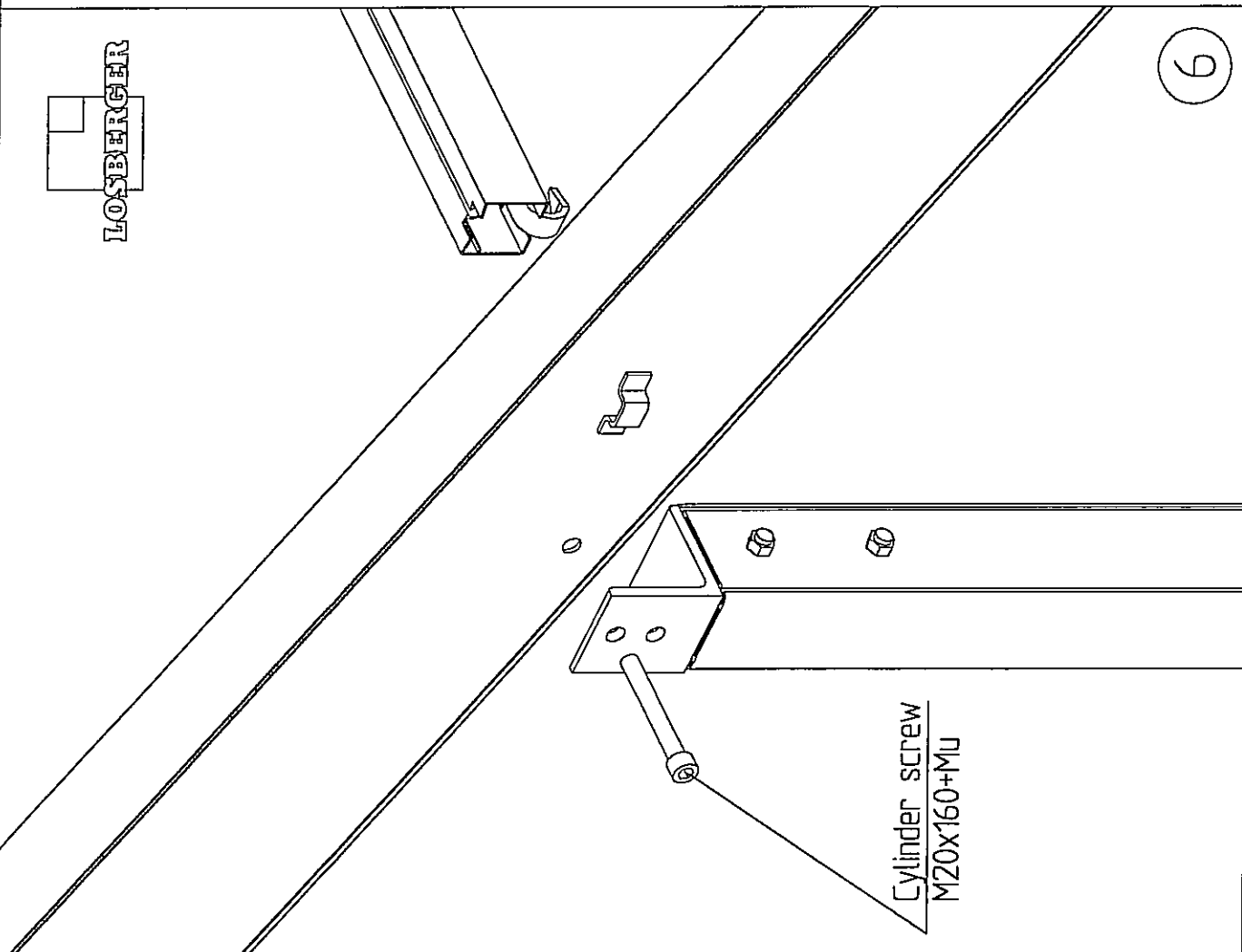
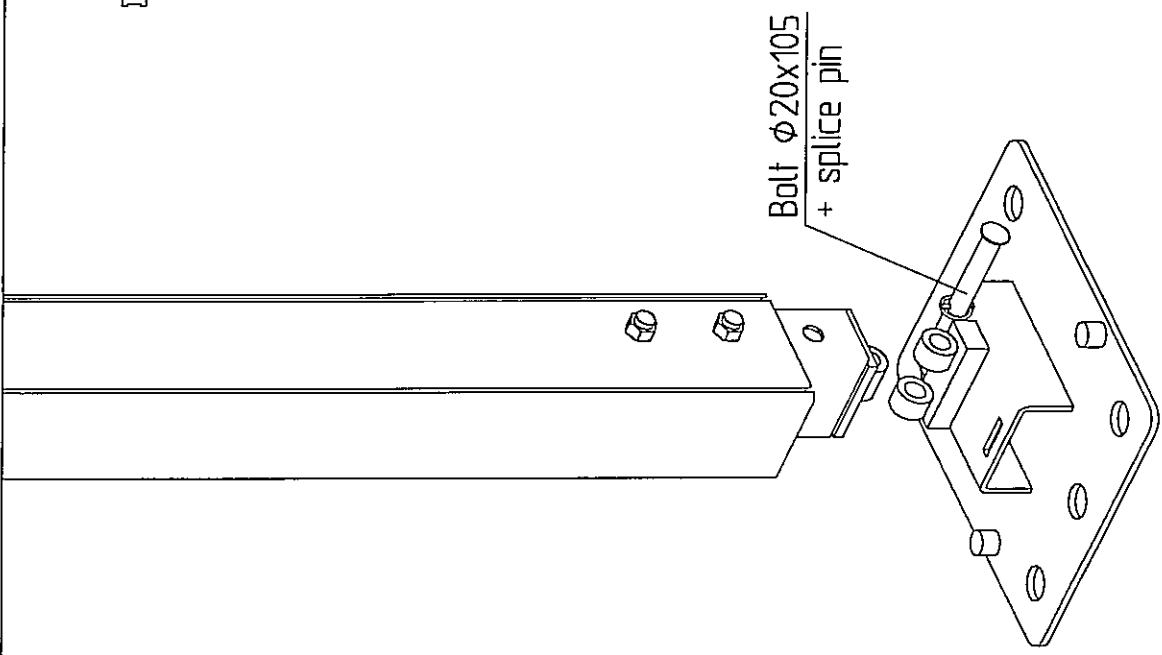


M16x140+MU







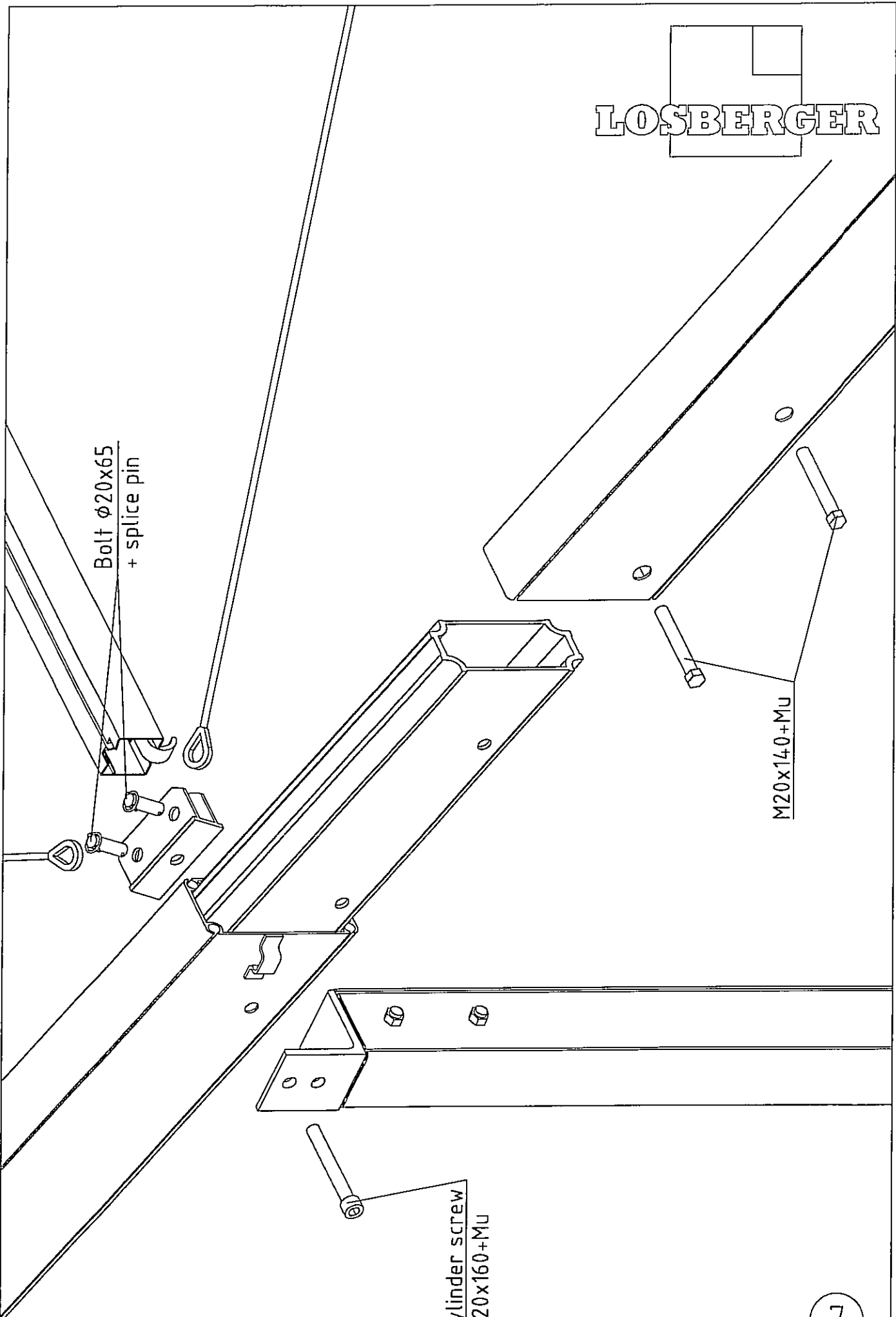


LOSBERGER

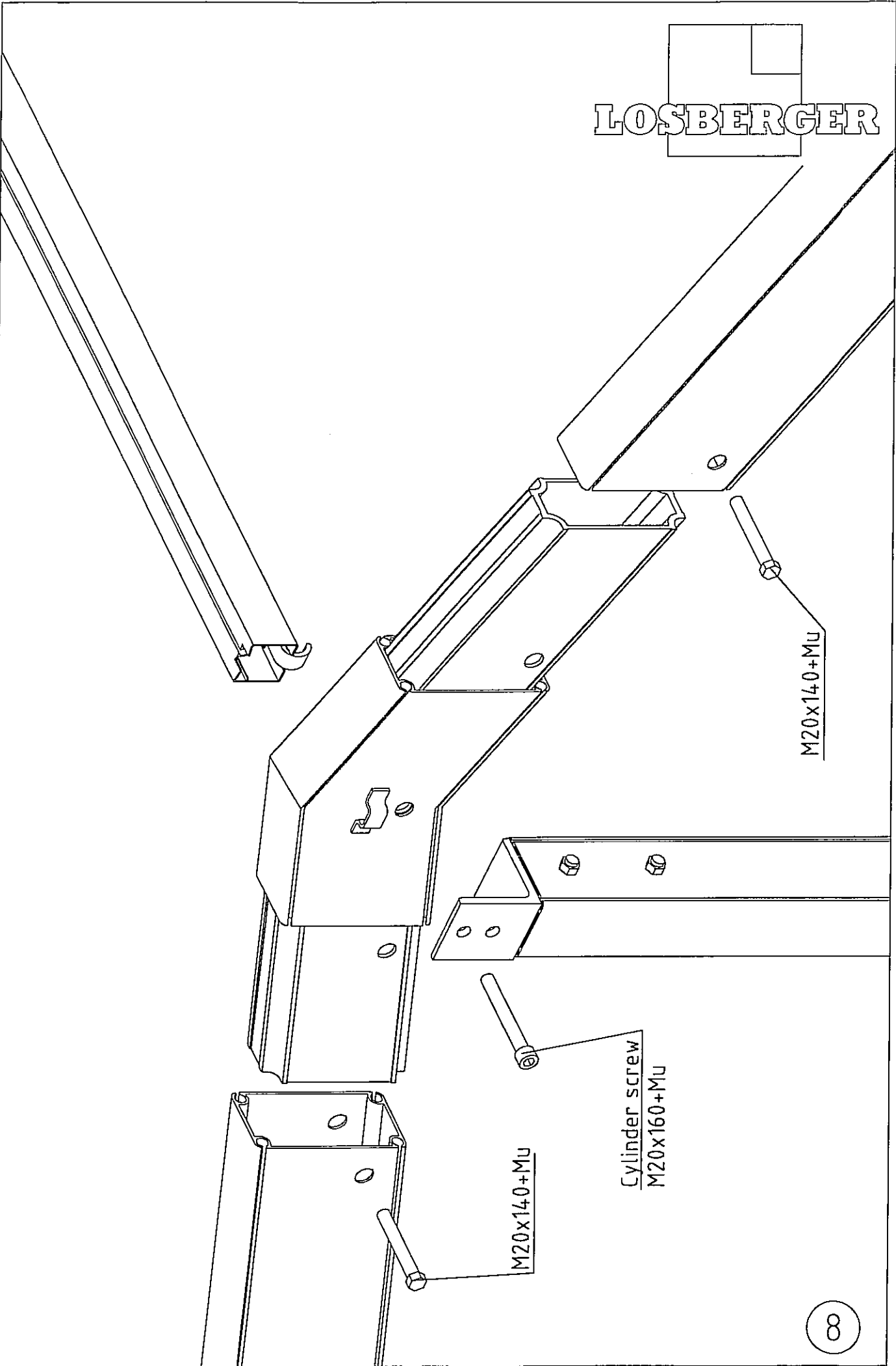
Bolt $\phi 20 \times 65$
+ splice pin

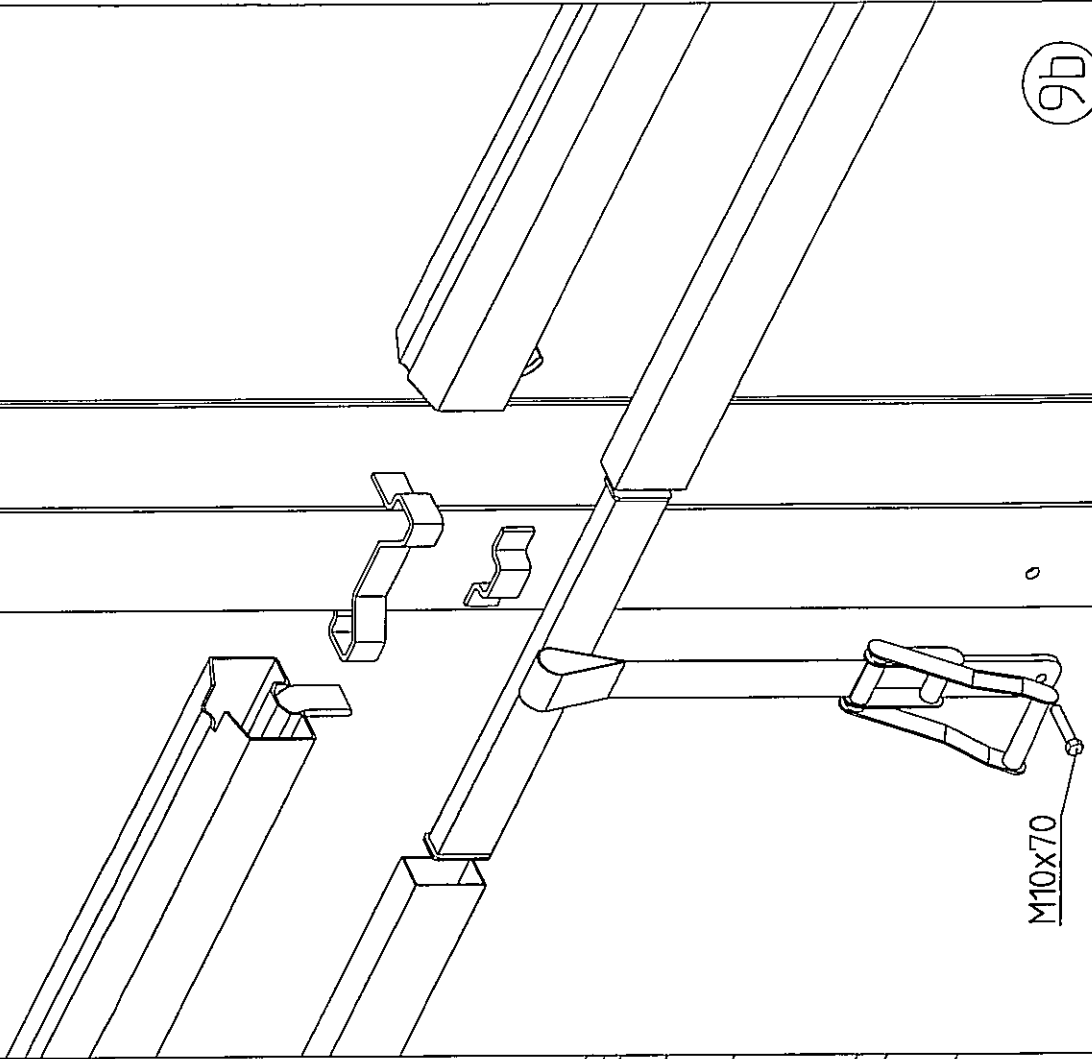
M20x140+Mu

Cylinder screw
M20x160+Mu

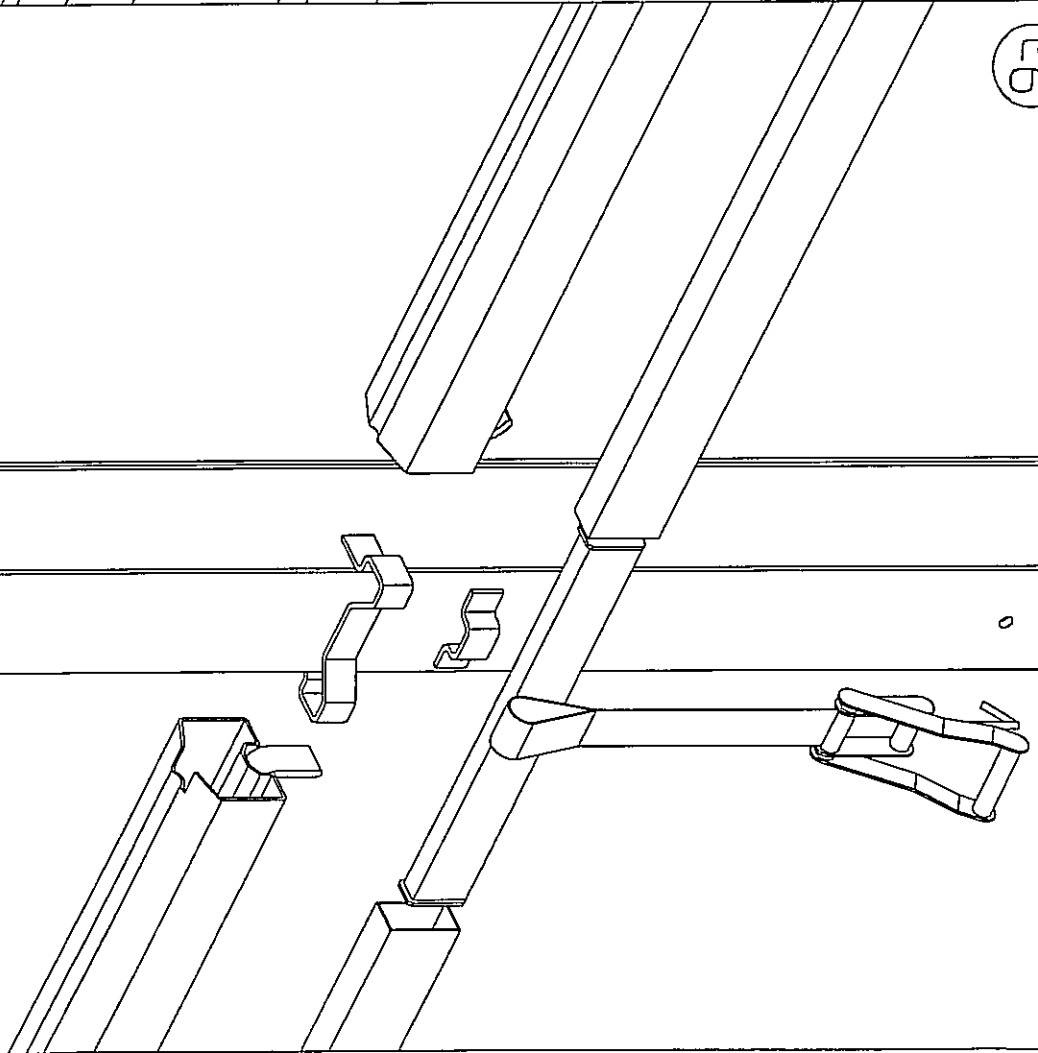



LOSBERGER





M10x70



LOSBERGER

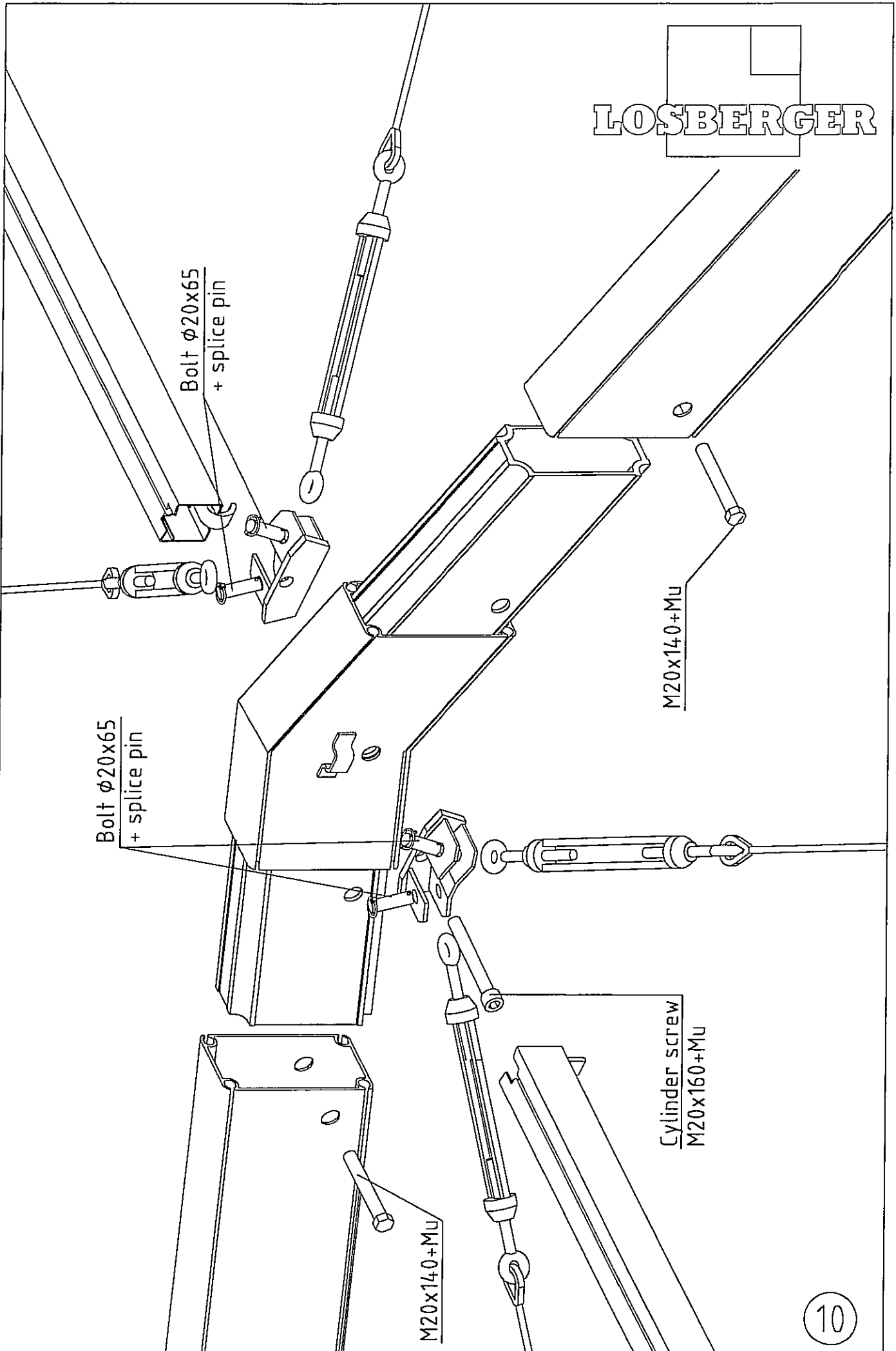
Bolt $\phi 20 \times 65$
+ splice pin

Bolt $\phi 20 \times 65$
+ splice pin

M20x140+Mu

Cylinder screw
M20x160+Mu

M20x140+Mu





LOSBERGER

Bolt $\phi 20 \times 65$
+ splice pin

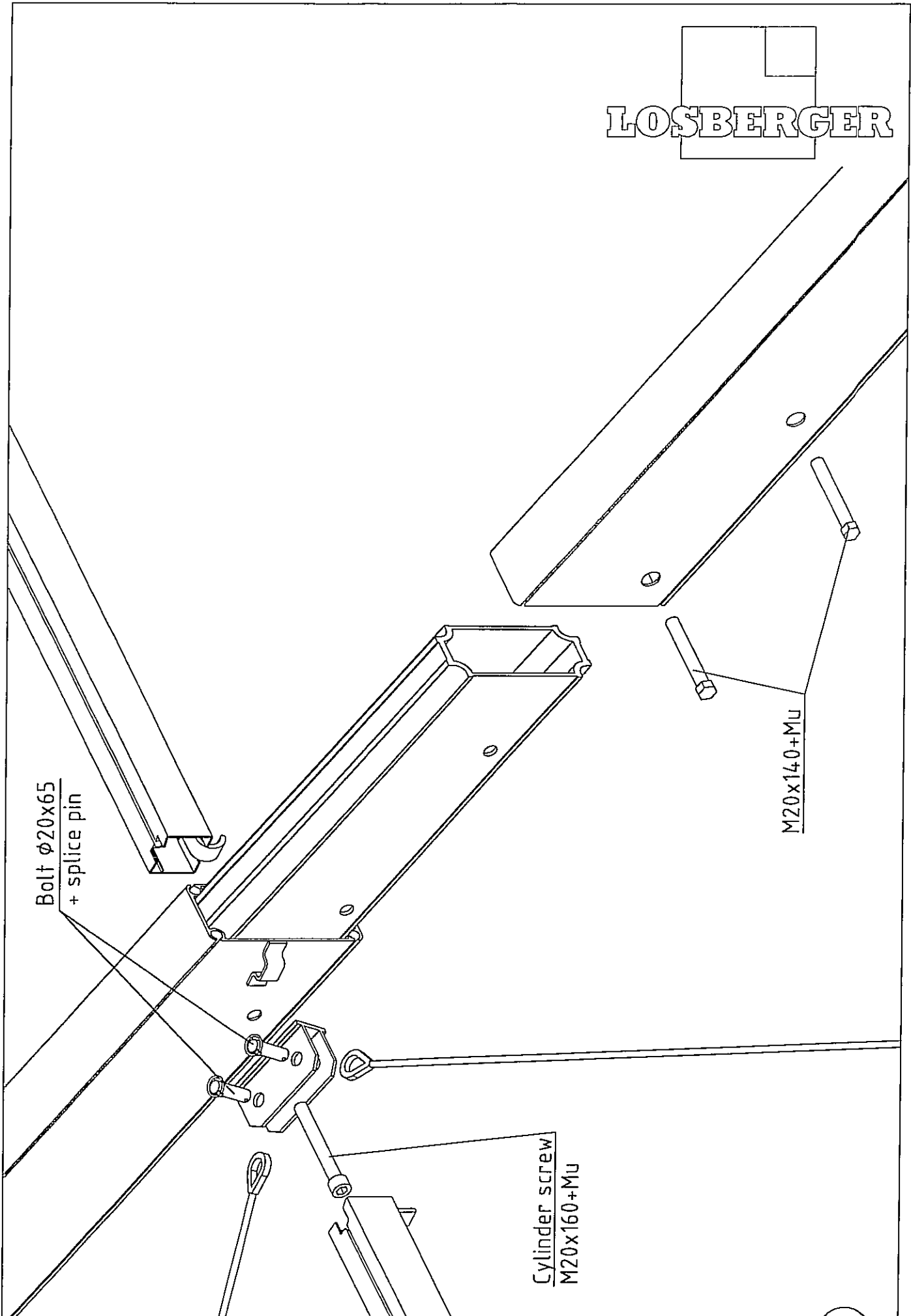
Cylinder screw
M20x160+Mu

LOSBERGER

Bolt $\phi 20 \times 65$
+ splice pin

M20x140+Mu

Cylinder screw
M20x160+Mu



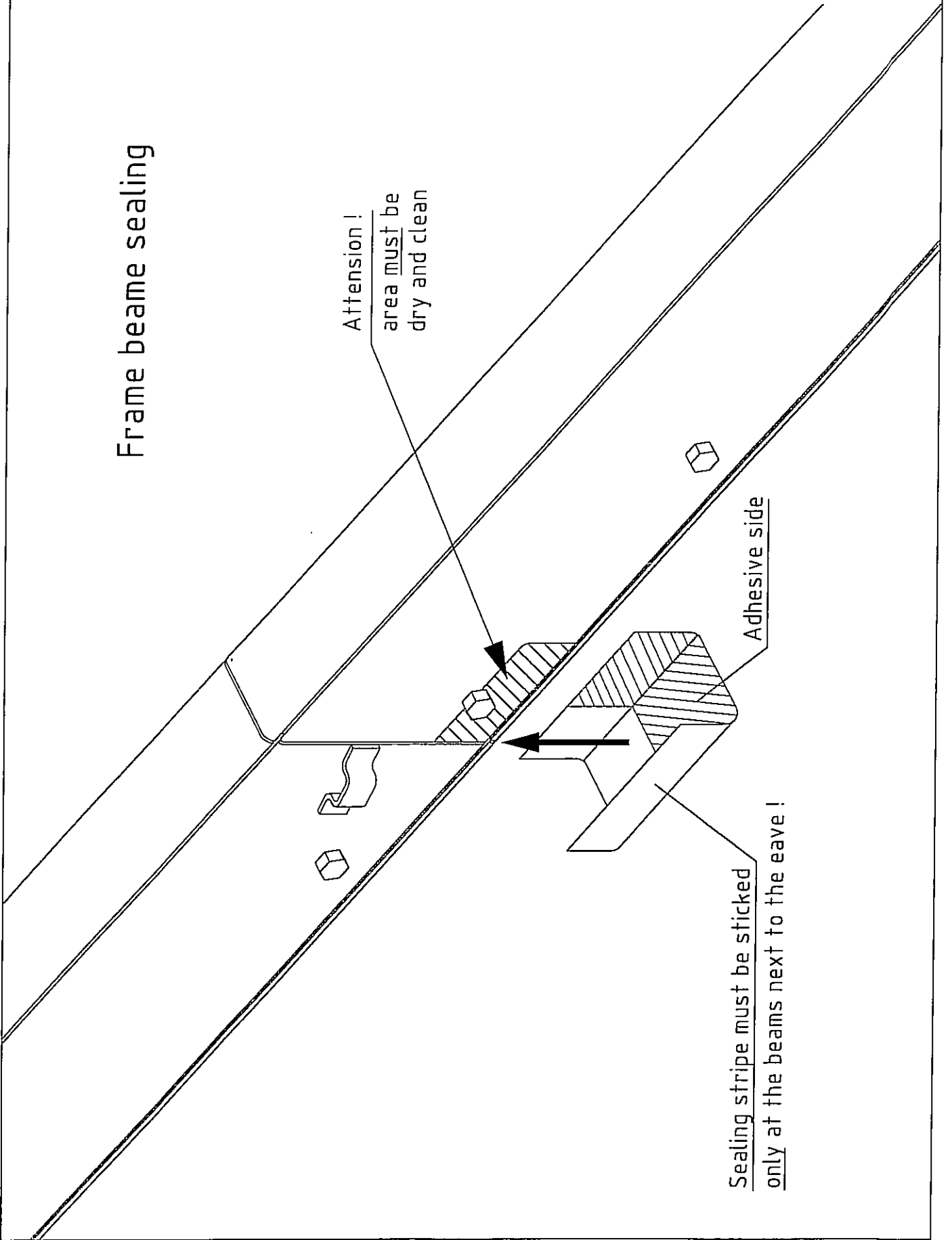
LOSBERGER

Frame beame sealing

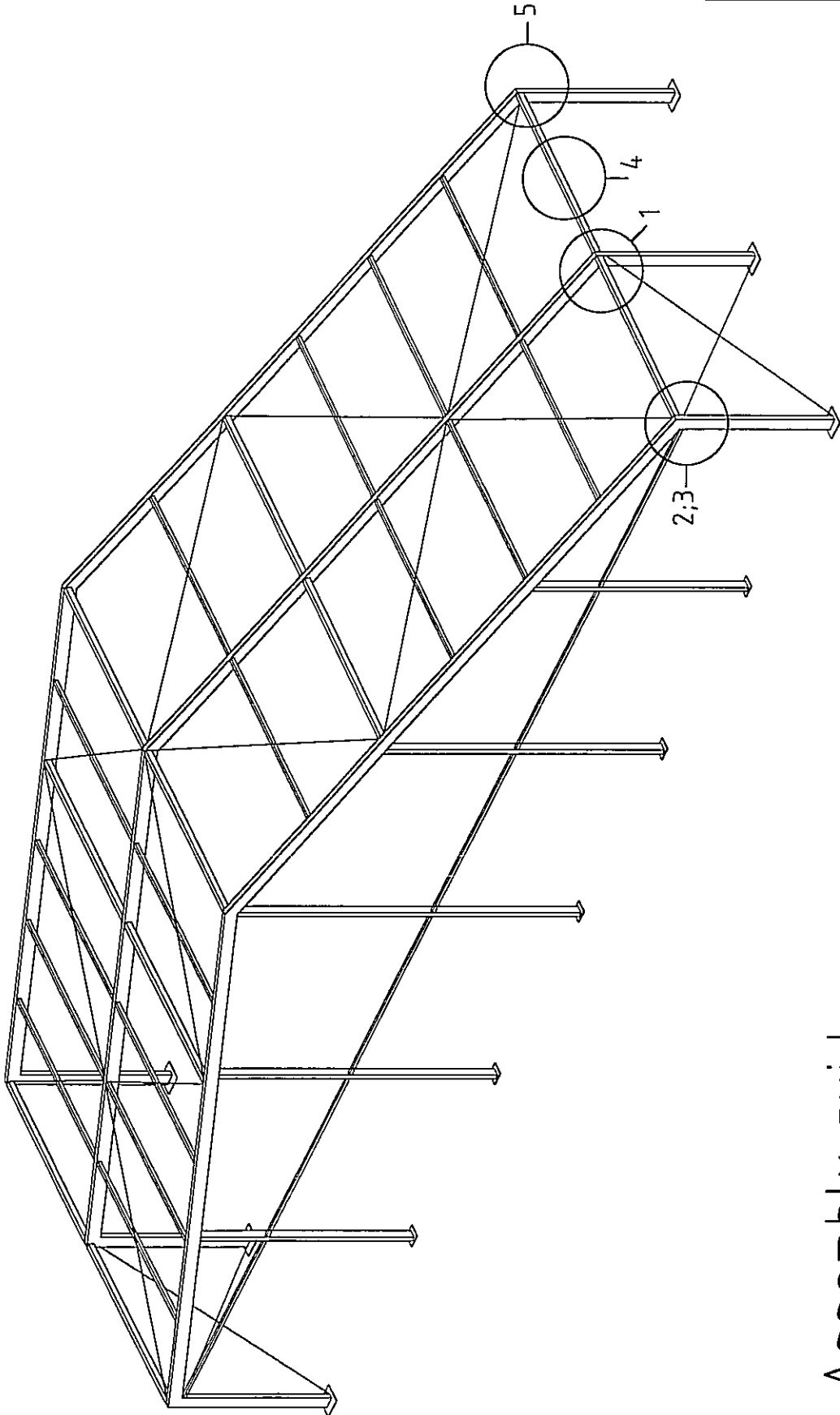
Attension !
area must be
dry and clean

Adhesive side

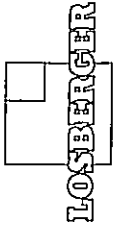
Sealing stripe must be sticked
only at the beams next to the eave !



LOSBERGER



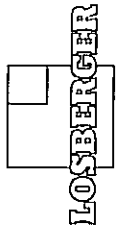
Assembly guide , covers



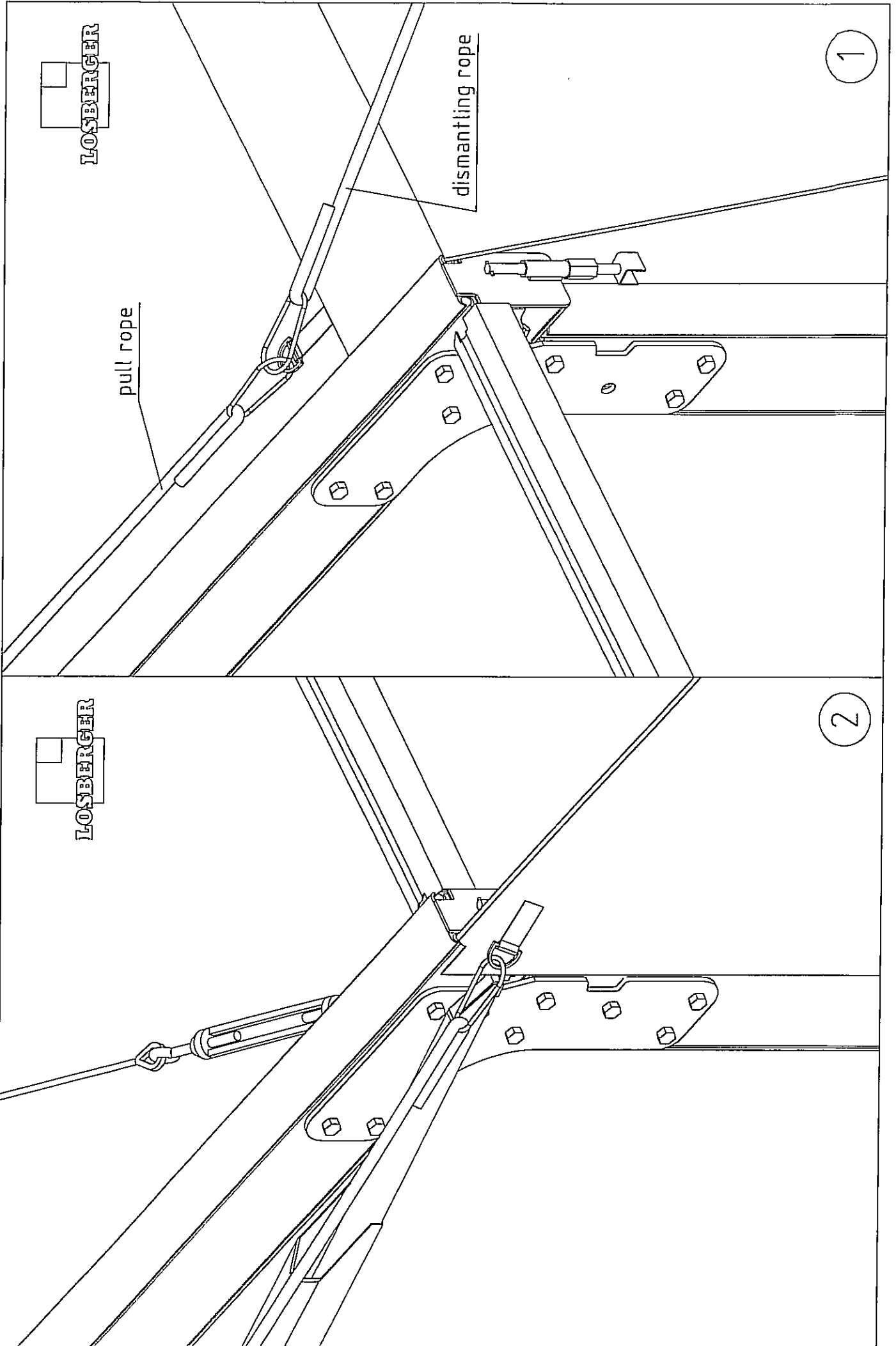
pull rope

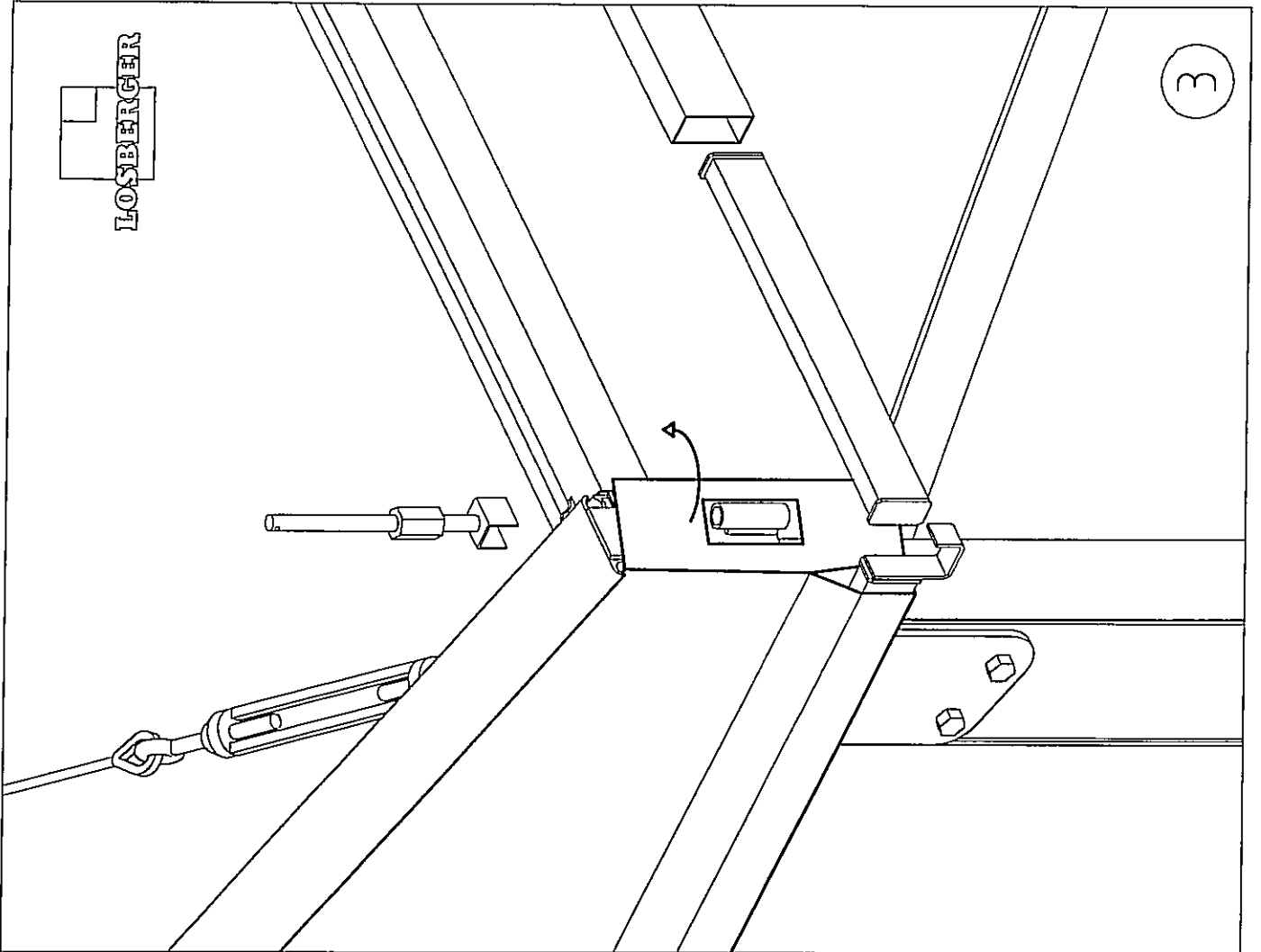
dismantling rope

1



2





overhang
ca. 45cm

